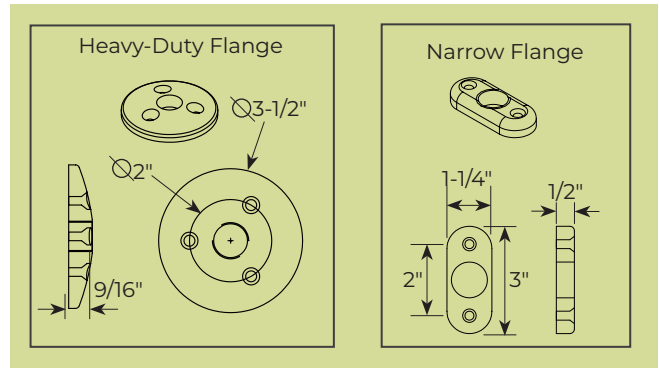
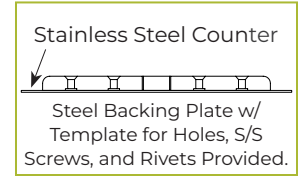
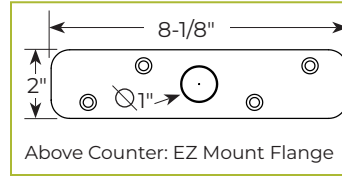
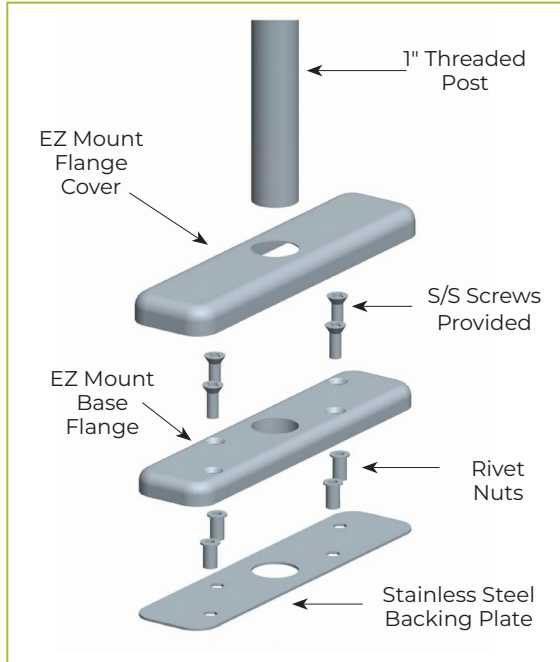


ABOVE-COUNTER INSTALLATION FOR 1" ADVANCEGUARD POSTS

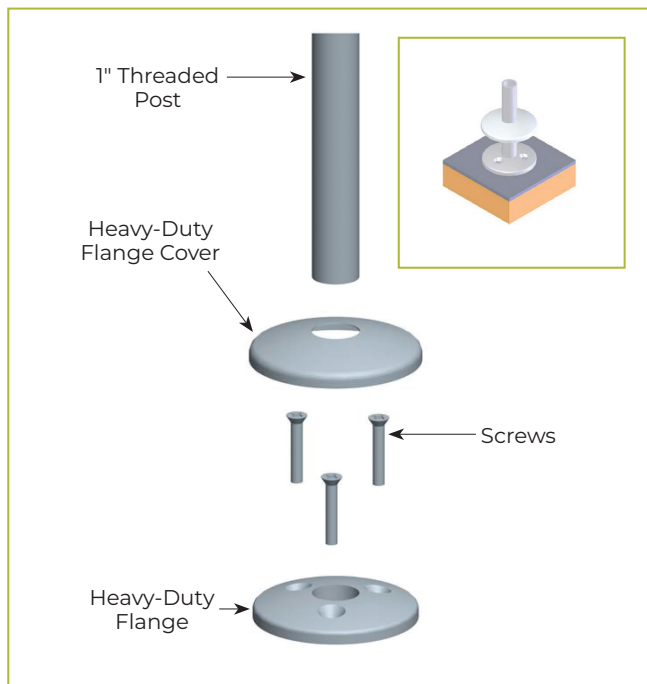
STAINLESS STEEL COUNTERS

EZ Mount - 2" x 8" Flange

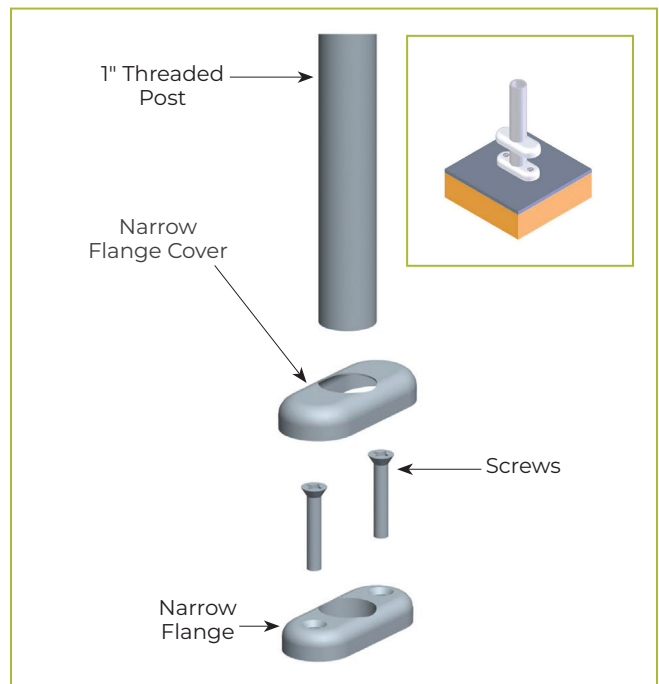


MILLWORK COUNTERS

Heavy-Duty Flange



Narrow Flange

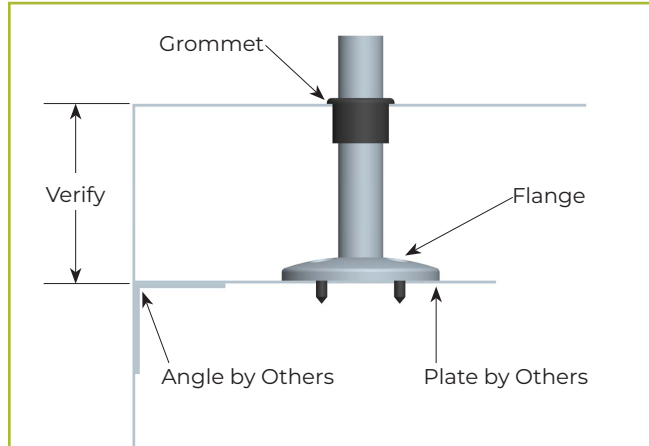


UNDER-COUNTER INSTALLATION FOR 1" ADVANCEGUARD POSTS

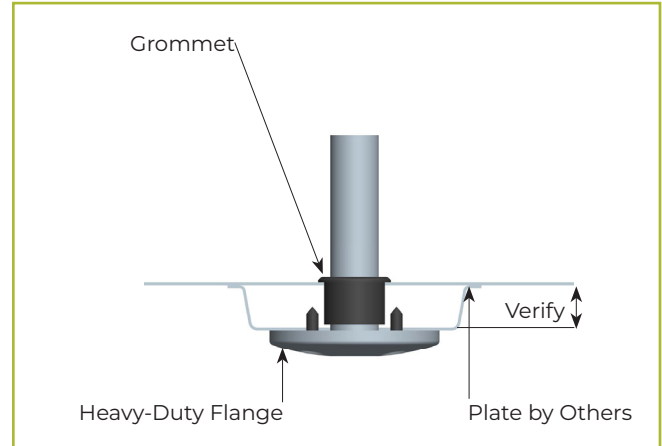
STAINLESS STEEL COUNTERS

(requires under-counter reinforcement and access)

Heavy-Duty Upright Flange or Narrow Upright Flange



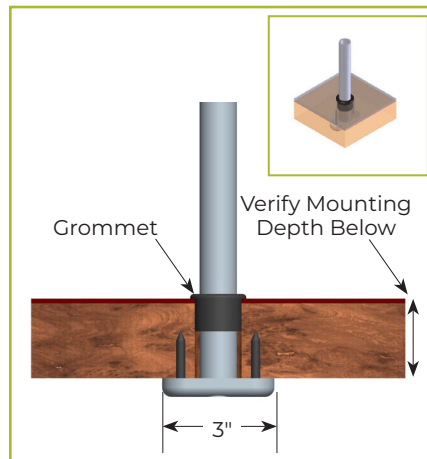
Heavy-Duty Inverted Flange or Narrow Inverted Flange



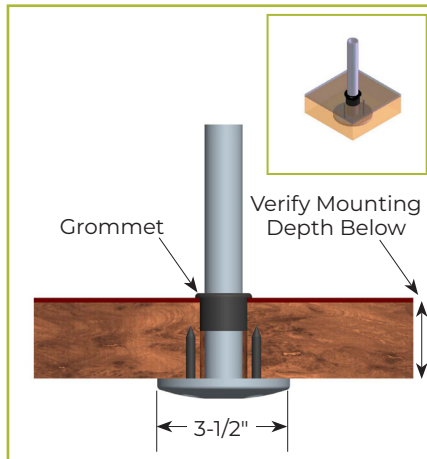
Verify counter thickness or under-counter installation depth in inches.

MILLWORK COUNTERS

Narrow Flange

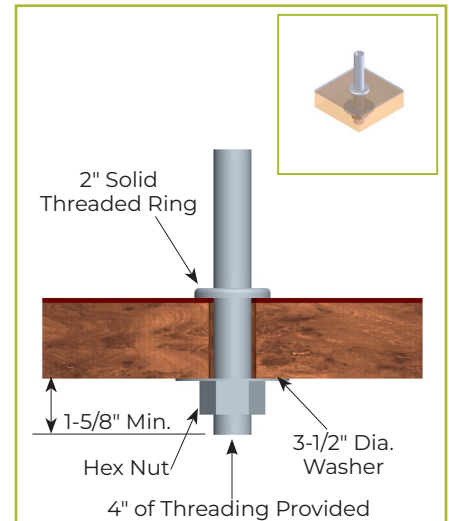


Heavy-Duty Flange



Compression Flange

(not recommended for solid surfaces)

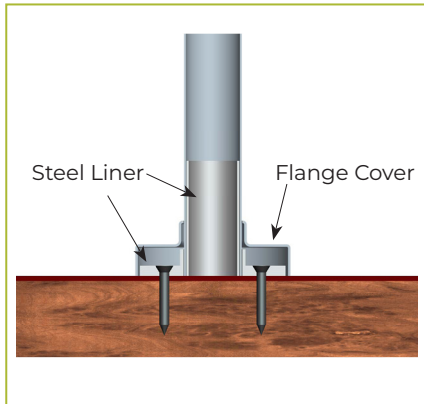


Verify counter thickness or under-counter installation depth in inches.

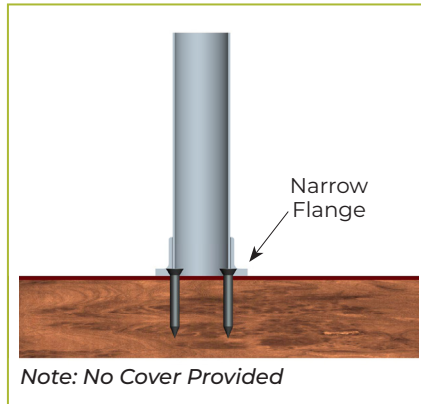
ABOVE-COUNTER INSTALLATION FOR 1-1/2" ADVANCEGUARD POSTS

MILLWORK COUNTERS

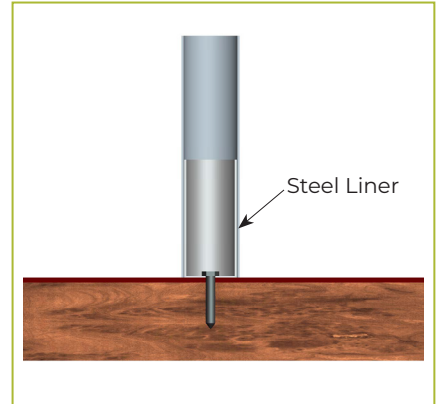
Heavy-Duty Flange w/Flange Cover



Narrow Flange



Concealed Mount
(not for cantilever units)

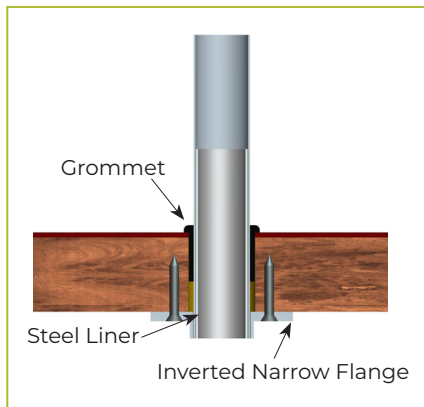


UNDER-COUNTER INSTALLATION FOR 1-1/2" ADVANCEGUARD POSTS

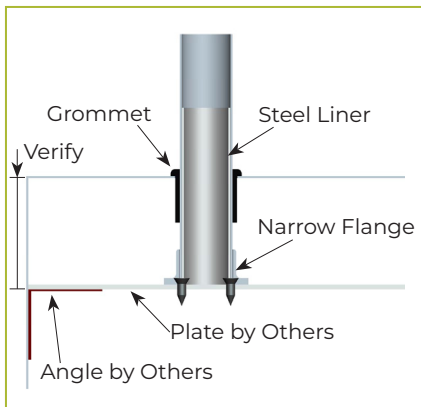
(requires under-counter reinforcement and access)

MILLWORK COUNTERS

Inverted Flange w/Grommet



Under Counter Inverted Flange w/Cover



FLANGE AND FLANGE COVER DIMENSIONS

